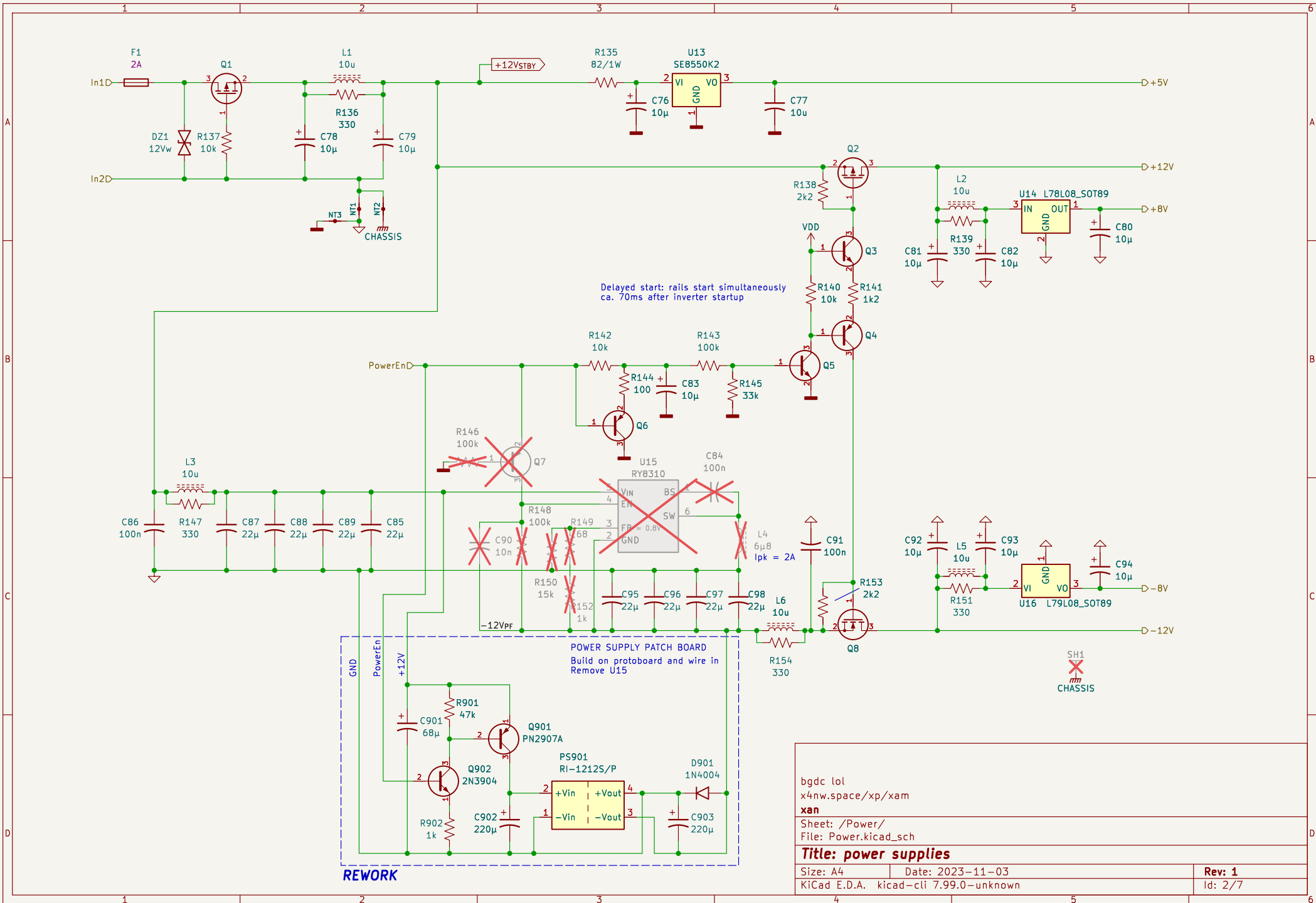


Input 1 Phono/1
 Input 2 Tape/2
 Input 3 Phono/1
 Input 4 Tape/2
 Input 5 Phono/1
 Input 6 Tape/2

- H1 MountingHole
- H2 MountingHole
- H3 MountingHole

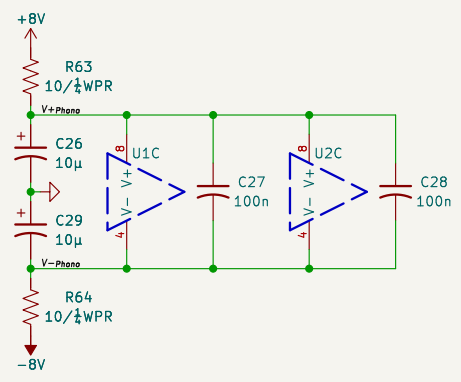
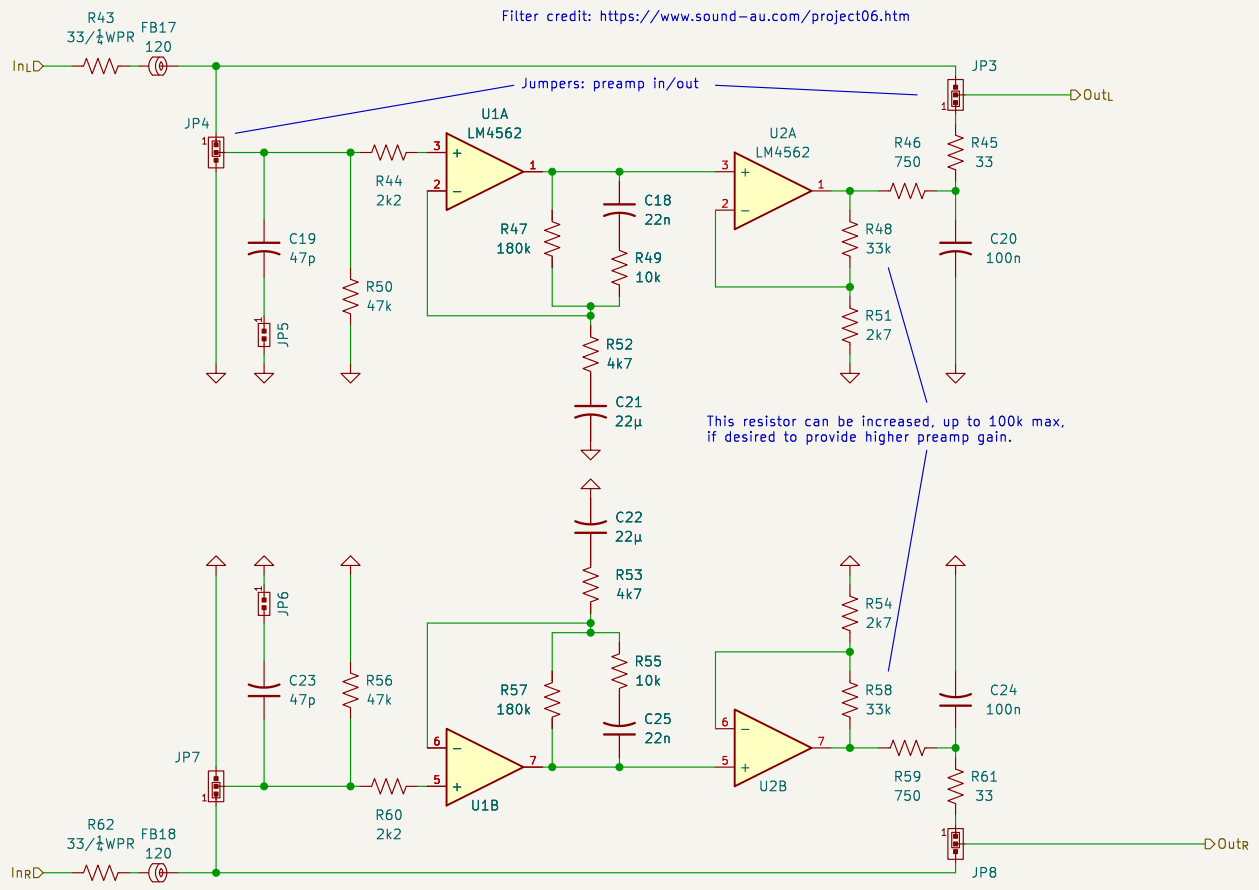
bgdc lol		
x4nw.space/xp/xam		
xan		
Sheet: /		
File: xam-main.kicad_sch		
Title: xam is xan's audio mux		
Size: A3	Date: 2023-11-03	Rev: 1
KiCad E.D.A. kicad-cli 7.99.0-unknown	Id: 1/7	



bgdc lol
 x4nw.space/xp/xam
 xan
 Sheet: /Power/
 File: Power.kicad_sch

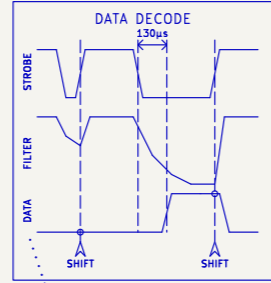
Title: power supplies

Size: A4	Date: 2023-11-03	Rev: 1
KiCad E.D.A. kicad-cli 7.99.0-unknown		Id: 2/7



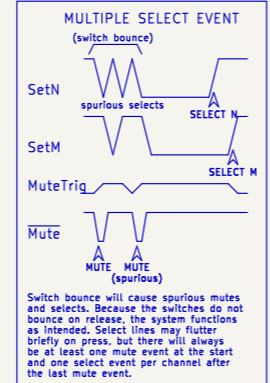
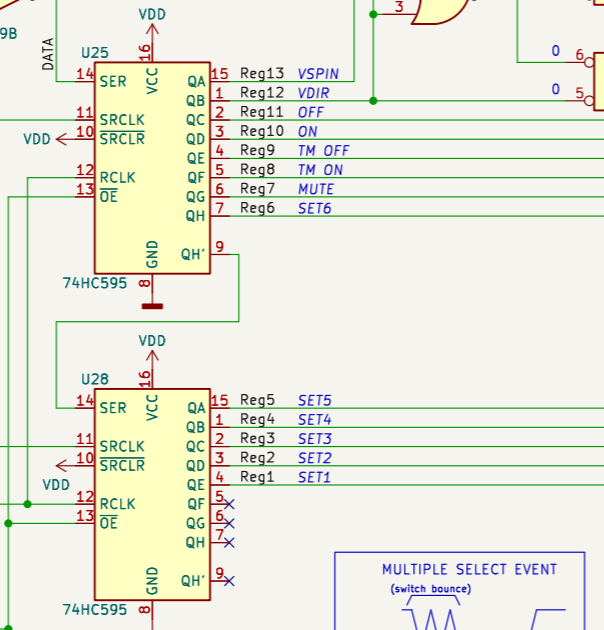
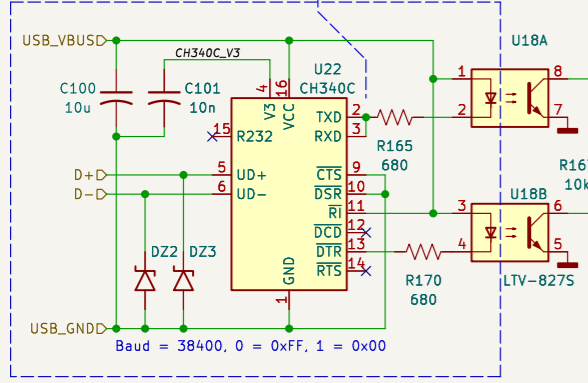
bgdc lol x4nw.space/xp/xam xan	
Sheet: /Phono/ File: Phono.kicad_sch	
Title: mm phono preamp	
Size: A4	Date: 2023-11-03
KiCad E.D.A. kicad-cli 7.99.0-unknown	Rev: 1 Id: 3/7

REWORK
Ensure pins 2 and 3 are shorted
This was missing on PCB first rev



VOLUME CONTROL DECODE

Reg13 VSPIN	Spin	Dir	Down	Up
0	0	0	0	0
0	1	0	1	0
1	0	1	0	1
1	1	0	1	1



Representative example of front panel switches

REWORK
U24.9 needs to connect to +12Vstby, not +12V. Lift pin and make new connection

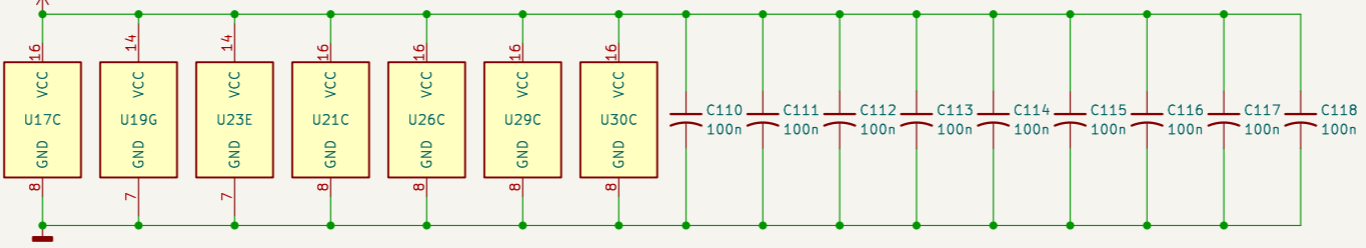
REWORK
C904 220n R903 10k
PowerEn (optional)

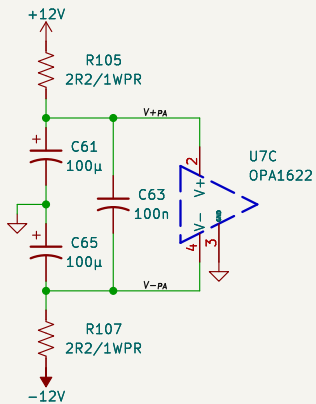
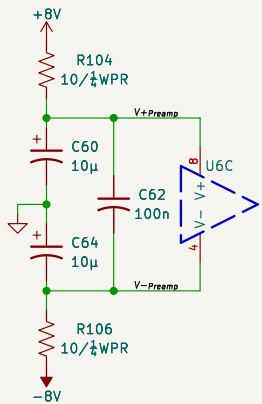
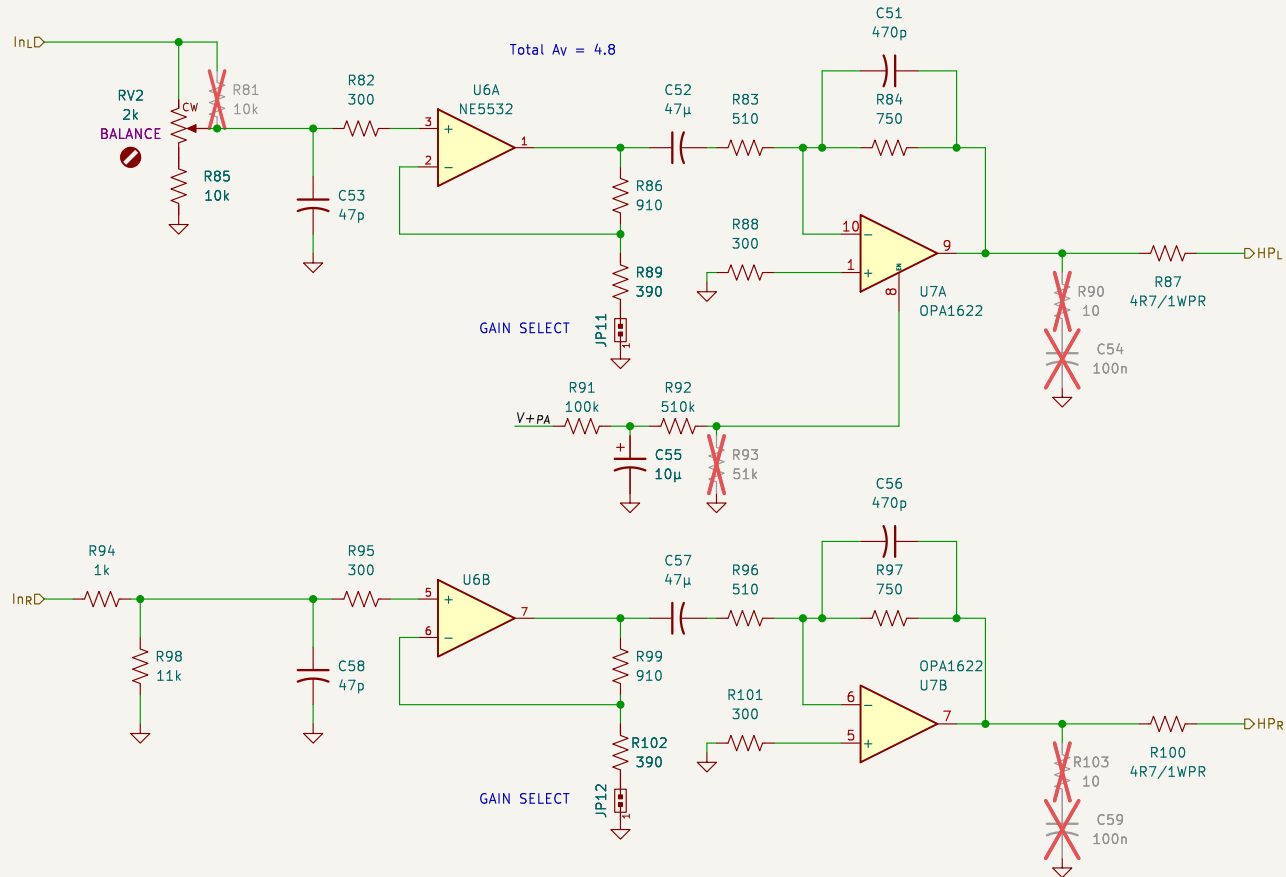
bgdc lol
x4nw.space/xp/xam
xan
Sheet: /Control/
File: Control.kicad_sch

Title: control logic

Size: A3 Date: 2023-11-03
KiCad E.D.A. kicad-cli 7.99.0-unknown

Rev: 1
Id: 4/7



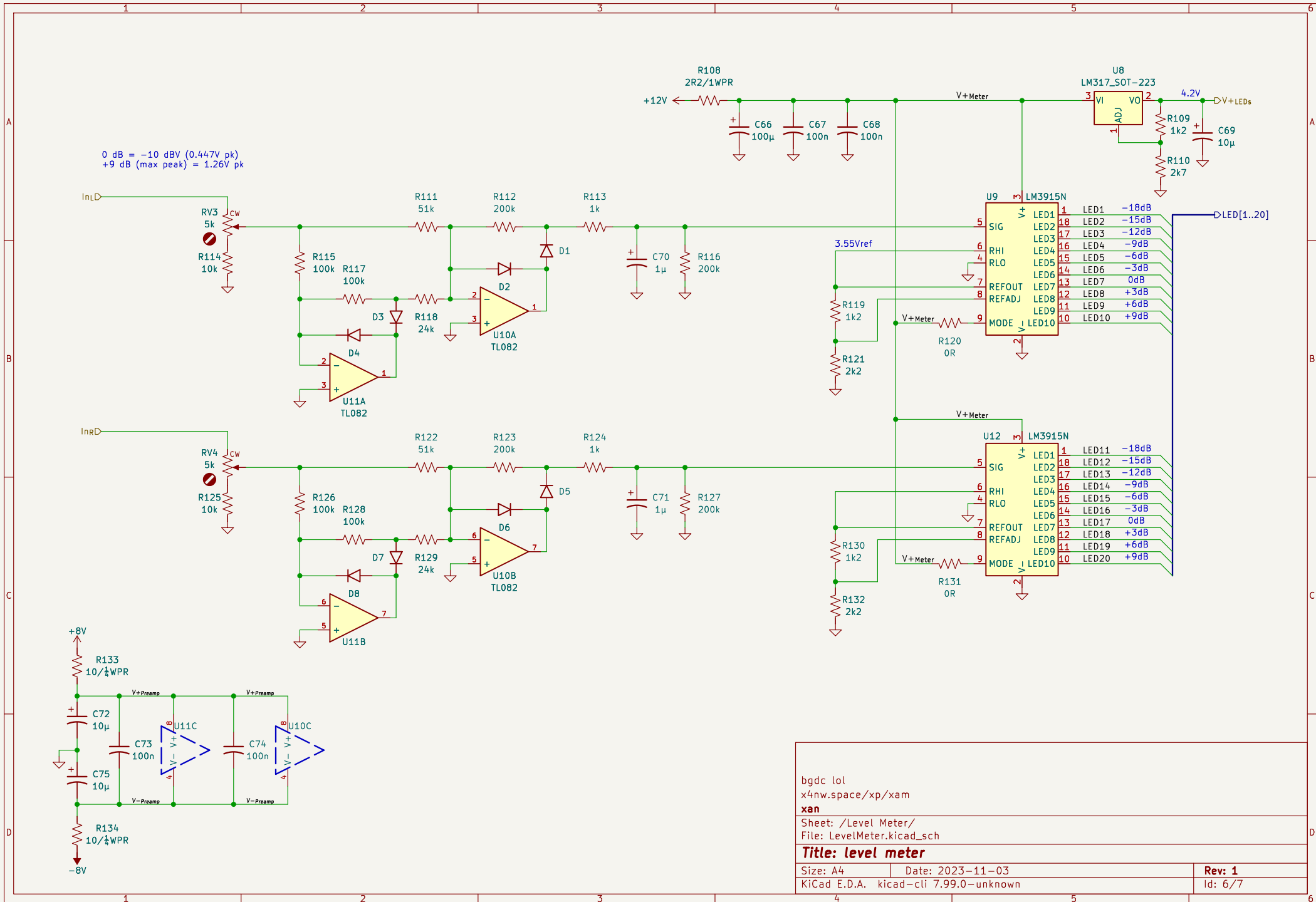


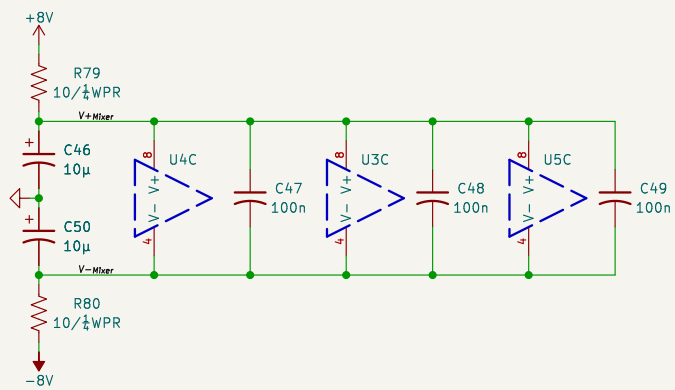
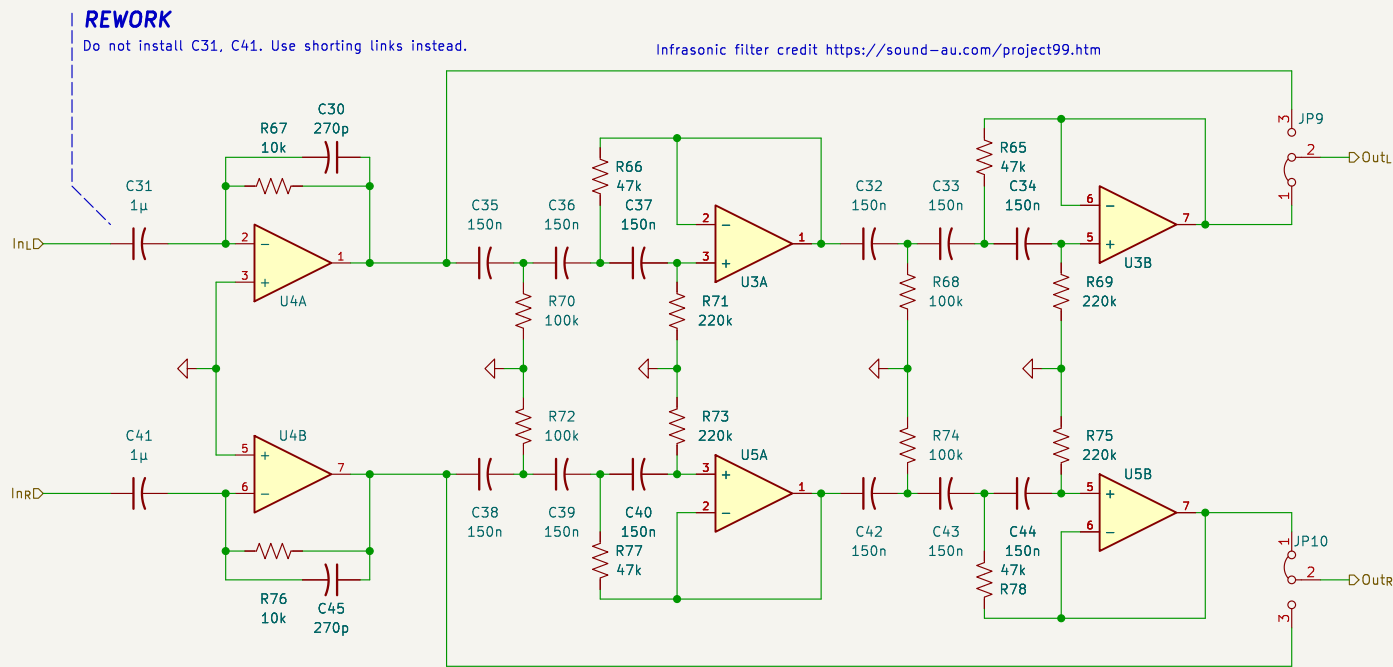
bgdc lol
 x4nw.space/xp/xam
 xan
 Sheet: /Amp/
 File: Amp.kicad_sch

Title: headphone amplifier

Size: A4 Date: 2023-11-03
 KiCad E.D.A. kicad-cli 7.99.0-unknown

Rev: 1
 Id: 5/7





bgdc lol x4nw.space/xp/xam xan	
Sheet: /Mixer/ File: Mixer.kicad_sch	
Title: mixer and filter	
Size: A4	Date: 2023-11-03
KiCad E.D.A. kicad-cli 7.99.0-unknown	Rev: 1 Id: 7/7